

The efficient RS barrier.



Pict. 1: GLA 55-S

## DESCRIPTION

The **RS-GUIDESYSTEMS** GLA 55 barrier post is designed for all kind of application at very cost-effective conditions. Post tube and base cover plate in stainless steel finish for a modern and straight-lined character.

**RS-GUIDESYSTEMS** barriers are compatible with almost all existing barrier systems!

Delivery: pre-assembled

## POST TUBE COLOUR

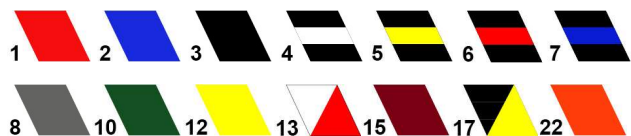
Standard colours.  
Others upon request.



S

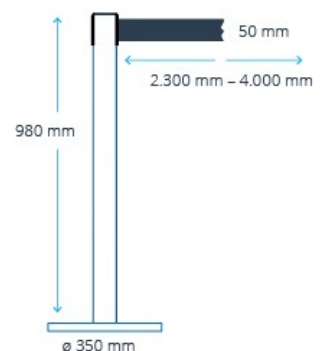
## BELT COLOUR

Different standard colours available.  
Special colours and digital printing upon request.



## SPECIFICATIONS

post tube	brushed stainless steel
base weight	base with metal cover plate in tube finish
diameter base weight	approx. 350 mm
height base weight	approx. 20 mm
total height of post	approx. 980 mm
total weight incl. cartridge	approx. 9 kg
tape width	approx. 50 mm
max. tape extension	either 2300 mm or 4000 mm



SUBJECT TO TECHNICAL MODIFICATIONS AT ANY TIME // JULY 2016