



Pict. 1: RS-904



Pict. 2: Colour samples

DESCRIPTION

Classical type in straight-lined design for a universal application. Base cover and post tube in same finish give this model a uniform and harmonious look.

Restrained crown to fix the **RS-GUIDESYSTEMS** rope (rope not included in delivery)

POST COLOUR

Other colours and finishes upon request



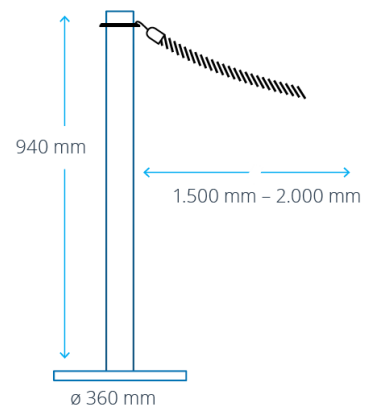
ROPES

You may choose between velvet ropes or cord ropes in different standard colours and lengths, simple or snap hooks (= carabiner).

Finish either chromed or brass-coloured.
Special colours upon request.

SPECIFICATIONS

post tube	chromed or brass-coloured
base weight	cast iron incl. cover in post finish
diameter base weight	approx. 360 mm
total height of post	approx. 940 mm
weight	approx. 10 kg



SUBJECT TO TECHNICAL MODIFICATIONS AT ANY TIME // JULY 2016