

Pict. 1: RS 903-G



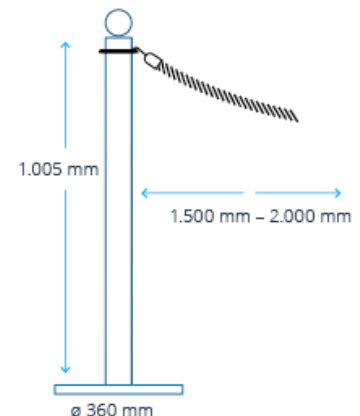
Pict. 2: Colour samples

## Mobile barrier post with rope for temporary or permanent blocking of certain areas or controlling the flow of people.

Traditional type in noble design for an elegant application – suitable for all kind of ambiances (rope not included).

### TECHNICAL SPECIFICATIONS

Post tube:	Chromed or brass-coloured
Base:	Cast iron with cover plate in tube finish
Diameter base weight:	approx. 360 mm
Height base weight:	approx. 20 mm
Total post height:	approx. 1005 mm
Total weight incl. cassette:	approx. 12 kg
Delivery:	assembled



### POST COLOUR

Different standard colours available. Special colours upon request.



### BELT COLOUR

Different standard colours available. Special colours and digital printing upon request.

You may choose between velvet ropes or cord ropes in different standard colours and lengths, simple or snap hooks (= carabiner).

Finish either chromed or brass-coloured. Special colours upon request.

## PRODUCT SAFETY DATASHEET

<b>Product name:</b>	see product data sheet
<b>Article number:</b>	see product data sheet
<b>Manufacturer:</b>	R. Scholz GmbH & Co. KG
<b>Address:</b>	Boschweg 34, 48351 Everswinkel
<b>Telephone number:</b>	+49 (0) 25 82 / 90 28 700
<b>Electronic Address:</b>	info@rs-guidesystems.de

## PRODUCT DESCRIPTION

Mobile barrier post with head piece for fixation of a rope.

## APPLICATION

For temporary or permanent blocking of certain areas or controlling the flow of people.

## SAFETY INFORMATION

- This is not a toy.
- For a secure stand, use on suitable ground surfaces only.
- Do not extend the rope beyond the maximum length.
- After hooking up the rope, ensure that the rope end is properly attached to a suitable counterpart.
- Materials: Metal, plastic, (partly recycled).

## HAZARD WARNINGS

- No known hazards if used and operated as intended.
- Improper use or incorrect handling can lead to injuries to the operator or in the surrounding area.
- Do not sit on the ropes. Do not swing on the ropes.
- Choking hazard for small parts.

## INSTRUCTION FOR USE

- Check for damage before use.
- Do not use if damaged or worn.
  
- Set up the barrier at the selected location.
- Attach the rope end to a suitable counterpart.

## CARE INSTRUCTIONS

- If necessary, wipe with a damp cloth.
- Do not drown in water.
- Avoid moisture

## DISPOSAL INSTRUCTIONS

- The product should be disposed of in accordance with the local waste regulations. Individual components can be recycled separately.

## CONTACT INFORMATION

The **RS-GUIDESYSTEMS**-Team will be happy to answer any questions or provide further information on demand.